**NX12-XL**

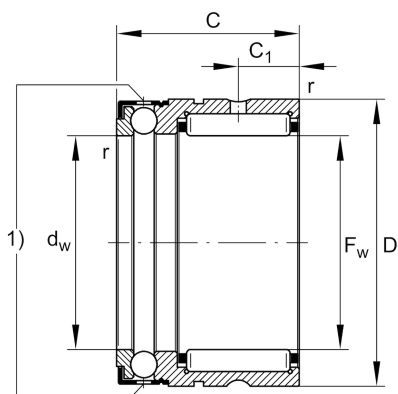
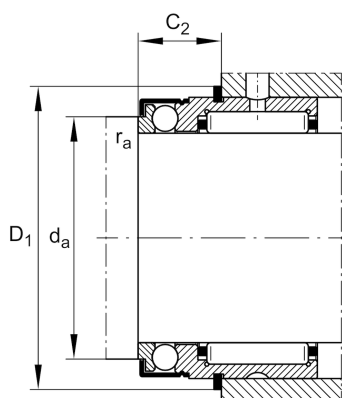
Needle roller/axial ball bearing

Schaeffler ID:  
0507785600000Needle roller/axial ball bearings NX,  
single direction axial component, for oil  
lubrication

X-life

## Technical information

2)

**Main Dimensions & Performance Data**

$F_w$	12 mm	Bore diameter
$D$	21 mm	Outside diameter
$C$	18 mm	Height
$C_r$	5,400 N	Basic dynamic load rating, radial
$C_{0r}$	4,300 N	Basic static load rating, radial
$C_a$	4,850 N	Basic dynamic load rating, axial
$C_{0a}$	8,200 N	Basic static load rating, axial
$C_{ur}$	840 N	Fatigue load limit, radial
$C_{ua}$	375 N	Fatigue load limit, axial
$n_G$	9,500 1/min	Limiting speed
	23.44 g	Weight

**Dimensions**

	IR8X12X10-IS1-XL	Suitable inner rings IR
	WR21, SW21	Snap ring
$C_1$	4.7 mm	Distance to lubrication hole
$C_2$	4.7 mm	Distance to lubrication hole
$d_w$	12 mm	Bore diameter of shaft washer
$r_{min}$	0.3 mm	Minimum chamfer dimension

**Mounting dimensions**

$d_a$	16.6 mm	Mounting dimension shaft shoulder
$r_{a max}$	0.3 mm	Maximum recess radius
$D_1$	23.7 mm	Connection diameter snap ring
$C_2$	10 mm	Connection width with snap ring

**Temperature range**

$T_{min}$	-30 °C	Operating temperature min.
$T_{max}$	120 °C	Operating temperature max.